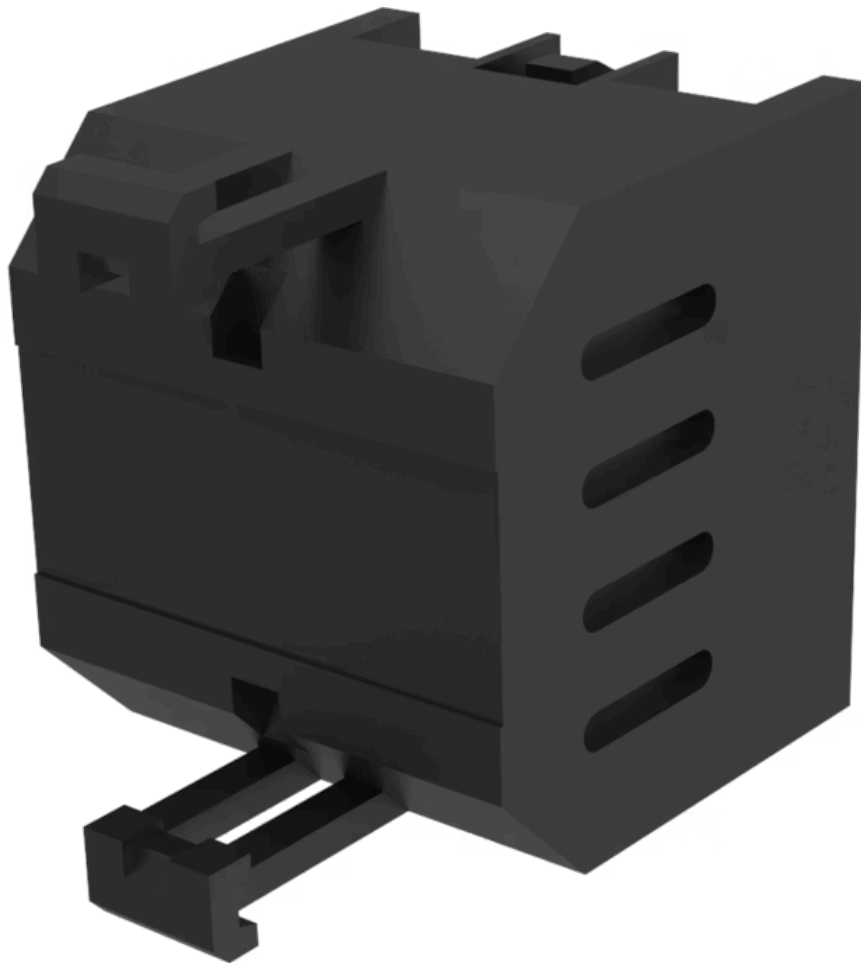


# Flasher element

704.943.2

Distribution by  
Farnell



<https://farnell.eao.com/component/704.943.2/e...>

Your product:

---



## 704.943.2 Flasher element

### ELECTRICAL CHARACTERISTICS

**Operating voltage:** 130 V AC/DC +10%

**Operation current:** 3 mA

### MECHANICAL CHARACTERISTICS

**Terminal:** Screw terminal

**Weight:** 0.025 kg

### AMBIENT CONDITION

**IP Protection:** IP30 rear side

**Operating temperature:** 0 °C ... + 50 °C

### CERTIFICATE

**REACH:** REACH compliant

**RoHS:** RoHS compliant

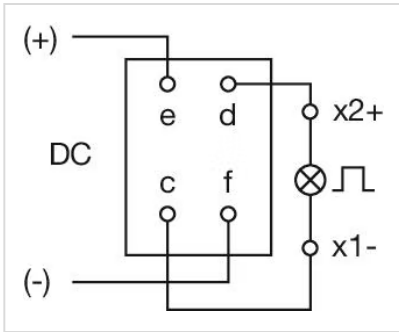
### OTHER

**Short Description:** Flasher element, 130 V AC/DC +10%, Screw terminal

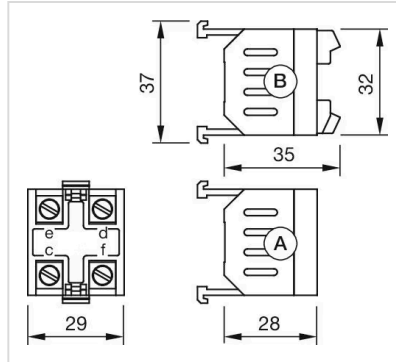
**Housing material:** Plastic, according to UL 94 V0

**Product attributes:** Lamp voltage/-current 130 V, 3 mA

**Wiring diagrams:**



**Dimension drawings:**



A = Screw terminal  
 Push-in terminal (PIT)