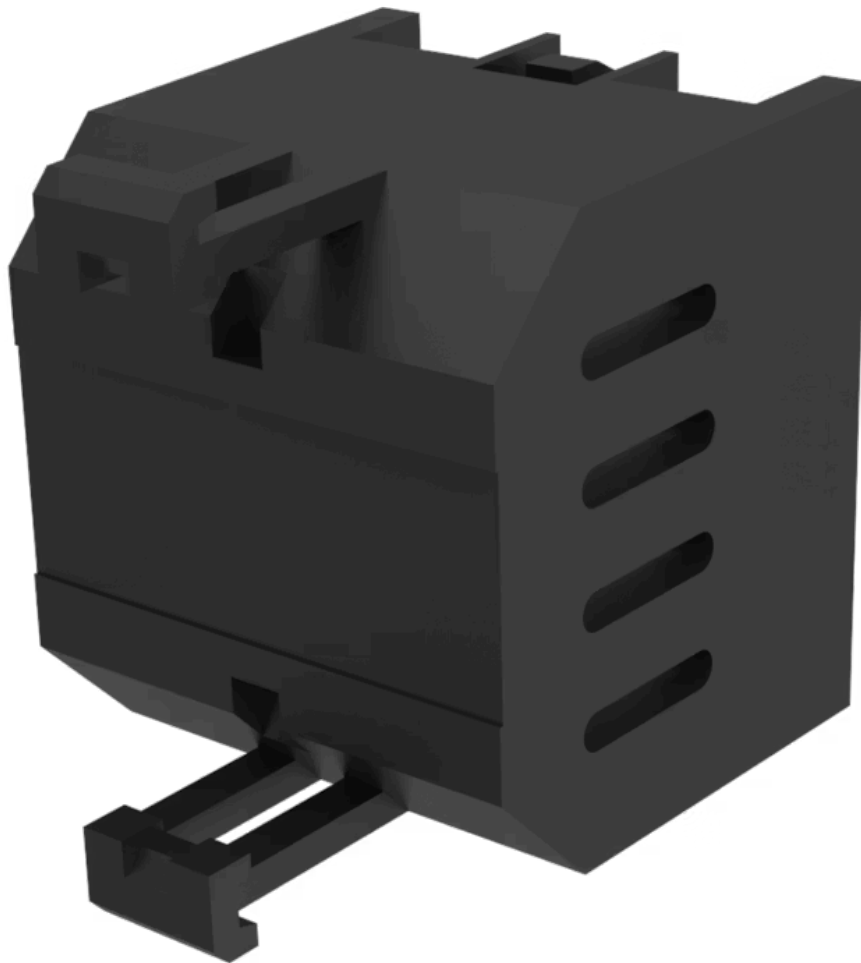


# Flasher element

704.943.5

Distribution by  
Farnell



<https://farnell.eao.com/component/704.943.5/e...>

Your product:

---



## 704.943.5 Flasher element

*Loading ...*

### ELECTRICAL CHARACTERISTICS

**Operating voltage:** 24 V AC/DC  $\pm 15$  %

**Operation current:** 10 - 85 mA

### MECHANICAL CHARACTERISTICS

**Terminal:** Screw terminal

**Weight:** 0.023 kg

### AMBIENT CONDITION

**IP Protection:** IP30 rear side

**Operating temperature:** 0 °C ... + 50 °C

### CERTIFICATE

**REACH:** REACH compliant

**RoHS:** RoHS compliant

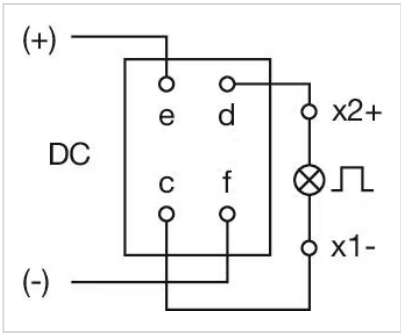
### OTHER

**Short Description:** Flasher element, 24 V AC/DC  $\pm 15$  %, Screw terminal

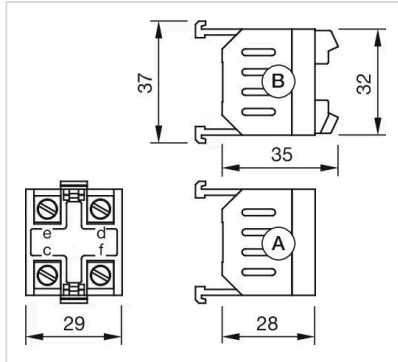
**Housing material:** Plastic, according to UL 94 V0

**Product attributes:** Lamp voltage/-current 24 V, 10 ... 85 mA

**Wiring diagrams:**



**Dimension drawings:**



A = Screw terminal  
 Push-in terminal (PIT)