

# Lamp block

704.950.2/D

Distribution by  
Farnell



<https://farnell.eao.com/component/704.950.2/D...>

Your product:

---



## 704.950.2/D Lamp block

*Loading ...*

### ELECTRICAL CHARACTERISTICS

**Standards:** The switches comply with the "Standards for low-voltage switching devices" DIN EN 60947-1/DIN EN 60947-5-1

### MECHANICAL CHARACTERISTICS

**Terminal:** Double plug-in terminal, 6.3 x 0.8 mm  
**Switching positions:** 2 positions  
**Wire cross section:** Double plug-in terminal 2 x 6.3 mm x 0.8 mm  
**Weight:** 0.013 kg

### AMBIENT CONDITION

**IP Protection:** IP00  
**Operating temperature:** - 40 °C ... + 55 °C  
**Storage temperature:** - 40 °C ... + 85 °C  
**Shock resistance:** Max. 300 m/s<sup>2</sup>, pulse width 11 ms (sinusoidal EN IEC 60068-2-27)  
**Vibration resistance:** Max. 100 m / s<sup>2</sup> from 10 Hz ... 500 Hz, (sinusoidal EN IEC 60068-2-6)  
**Climate resistance:** Relative humidity, max. 95%, non-condensing

### CERTIFICATE

**REACH:** REACH compliant  
**RoHS:** RoHS compliant

### OTHER

**Short Description:** Lamp block, Plastic, Double plug-in terminal, 6.3 x 0.8 mm

**Housing material:**

Plastic

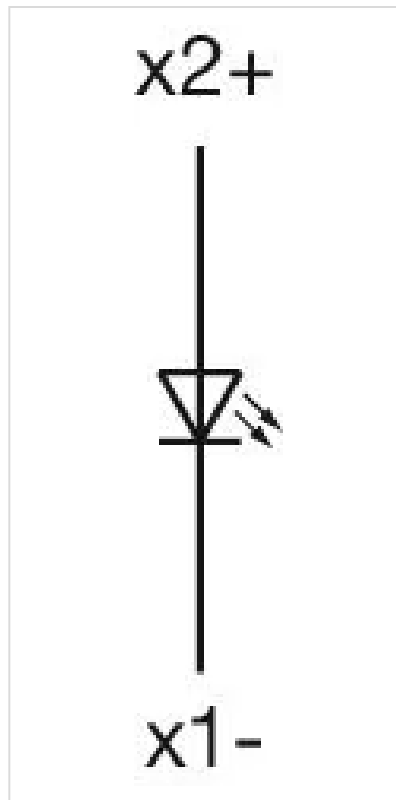
**Product attributes:**

Terminals nickel plated Cu/Sn

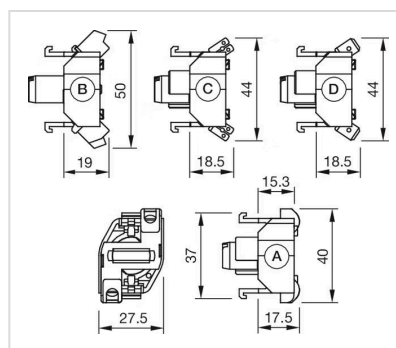
**Hints:**

When using the lamp block, the application guidelines must be observed.

**Wiring diagrams:**



**Dimension drawings:**



- A = Screw terminal
- B = Push-in terminal (PIT)
- C = Plug-in terminal 6.3 mm x 0.8 mm
- D = Double plug-in terminal 6.3 mm x 0.8 mm