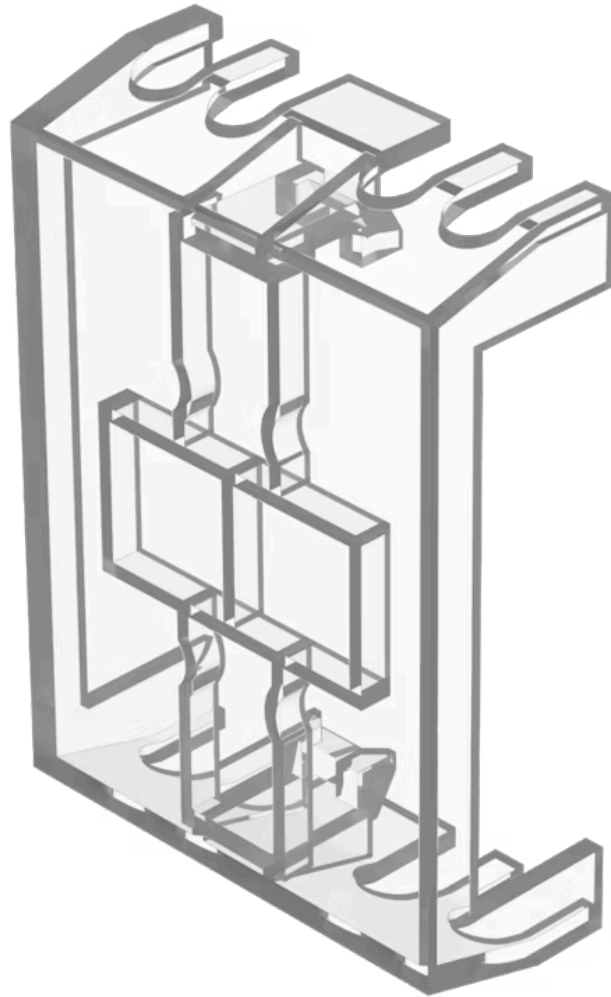


Terminal cover

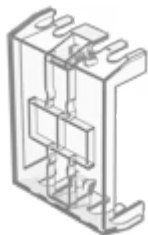
704.964.5

Distribution by
Farnell



<https://farnell.eao.com/component/704.964.5/e...>

Your product:



704.964.5 Terminal cover

Loading ...

MECHANICAL CHARACTERISTICS

Terminal: Screw terminal

Weight: 0.003 kg

OTHER

Short Description: Terminal cover, Plastic, Screw terminal

Titel Accessory: Terminal cover

Material: Plastic

Product attributes: For covering of screw terminal

Dimension drawings:

