

Blind plug

704.964.7

Distribution by
Farnell



<https://farnell.eao.com/component/704.964.7/e...>

Your product:



704.964.7 Blind plug

FRONT

Colour: Black

MOUNTING

Mounting cut-out: Ø 22.5 mm

MECHANICAL CHARACTERISTICS

Weight: 0.008 kg

OTHER

Short Description: Blind plug, Ø 22.5 mm, Ø 22.5 mm, Plastic, Black

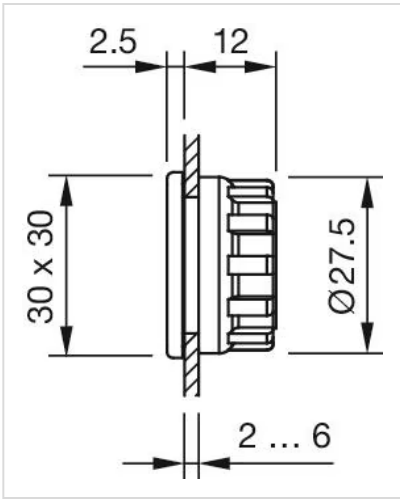
Title Accessory: Blind plug

Dimension: Ø 22.5 mm

Material: Plastic

Hints: Please note that bigger minimum distances are necessary

Dimension drawings:



for Part No. 704.964.7