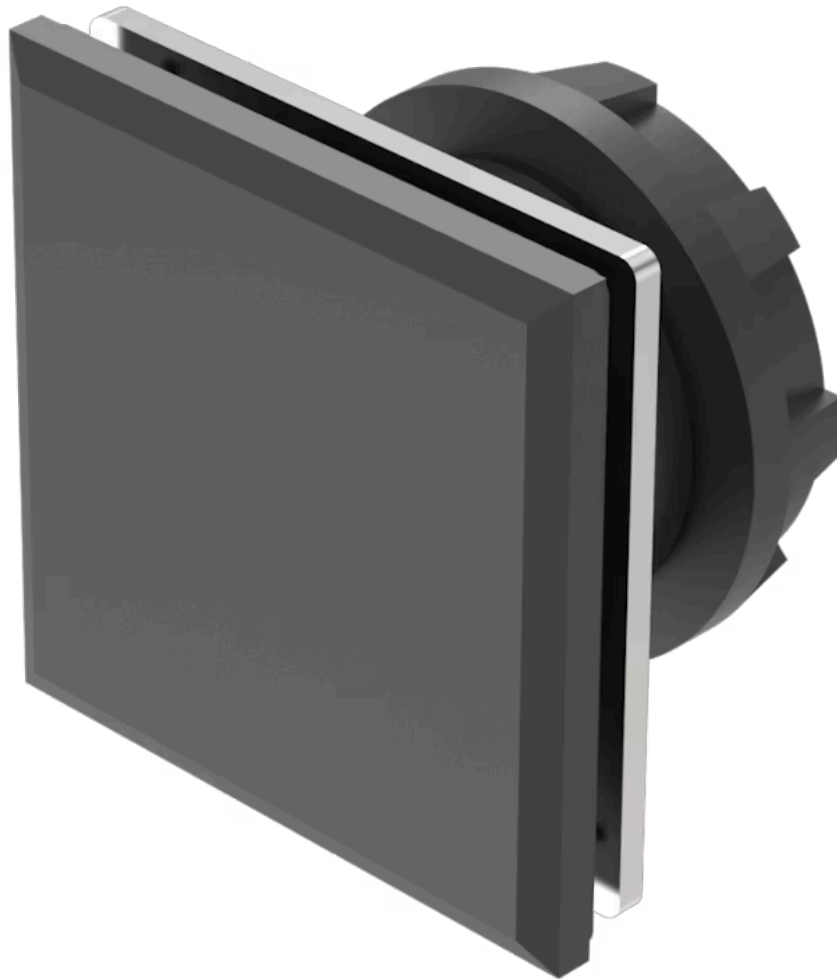


Blind plug

704.964.9

Distribution by
Farnell



<https://farnell.eao.com/component/704.964.9/e...>

Your product:



704.964.9 Blind plug

Loading ...

FRONT

Colour: Black

MOUNTING

Mounting cut-out: 30 mm x 30 mm

ELECTRICAL CHARACTERISTICS

Forward voltage:

MECHANICAL CHARACTERISTICS

Weight: 0.02 kg

OTHER

Short Description: Blind plug, 35 mm x 35 mm, 30 mm x 30 mm, Plastic, Black

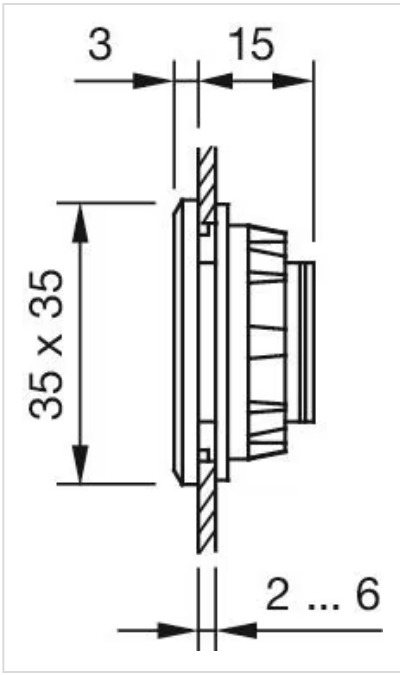
Titel Accessory: Blind plug

Dimension: 35 mm x 35 mm

Material: Plastic

Hints: Please note that bigger minimum distances are necessary

Dimension drawings:



for Part No. 704.964.9