

Actuator

84-0200.7

Distribution by
Farnell



<https://farnell.eao.com/p/84-0200.7>

Your product:



84-0200.7 Actuator

FRONT

Front dimension:	Ø 25 mm
Front form:	Round
Front bezel colour:	Nature
Front bezel material:	Aluminium

MOUNTING

Design:	Flush
Mounting cut-out:	Ø 22.5 mm
Mounting type:	Panel mounting

ELECTRICAL CHARACTERISTICS

Switching rating:

MECHANICAL CHARACTERISTIC

Tightening torque:	Fixing nut 0.8 Nm
Weight:	0.008 kg

AMBIENT CONDITION

IP front protection:	IP67
IP Protection:	IP67
Operating temperature:	- 25 °C ... + 70 °C
Storage temperature:	- 40 °C ... + 85 °C

Climate resistance:

Damp heat, cyclic: 96 hours, + 25 °C/97 %, + 55 °C/93 % relative humidity, as per EN IEC 60068-2-30
Damp heat, steady: 56 days, + 40 °C/93 % relative humidity, according to EN IEC 60068-2-78
Rapid change of temperature: 100 cycles, - 40 °C ... + 80 °C, as per EN / IEC 60068-2-14

CERTIFICATE

Approbations:

EBC (TSI PRM), NFF

Conformities:

CE, UKCA, 2011 / 65 / EC (RoHS)

REACH:

REACH compliant

RoHS:

RoHS compliant

OTHER

Short Description:

Actuator, Ø 22.5 mm, Ø 25 mm, Round, Nature, Aluminium, anodised, IP67

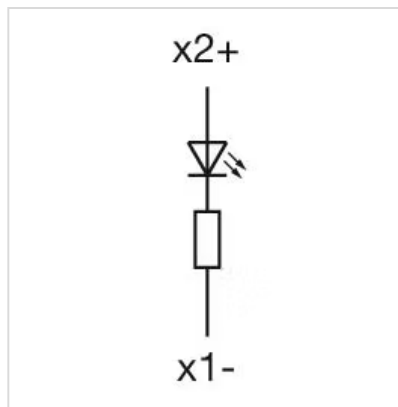
Hints:

Illuminated lens, non-illuminated bezel

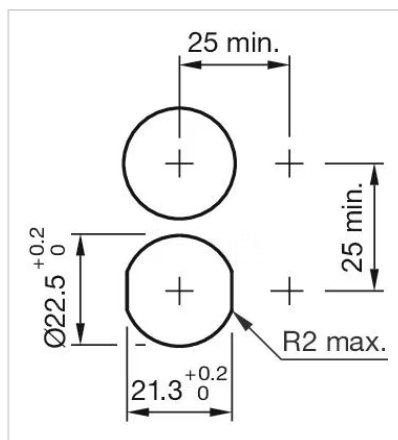
Description component:

Material housing actuator: Plastic as per UL94 V0

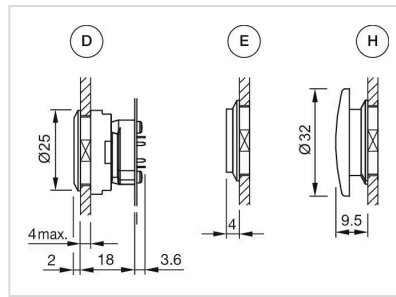
Wiring diagrams:



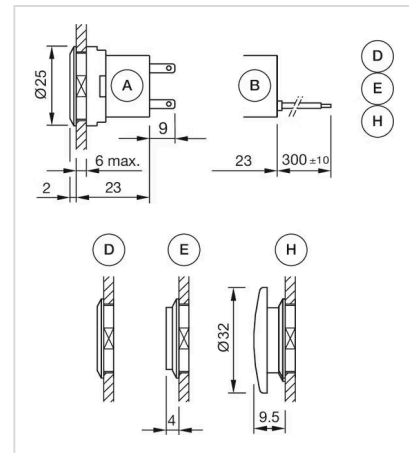
Mounting cut-outs:



Dimension drawings:



A = Lens level with bezel
 E = Lens raised above bezel
 H = Mushroom-head cap



A = Plug-in terminal 2.8 mm x 0.8 mm
 B = Flat ribbon cable
 D = Lens level with bezel
 E = Lens raised above bezel
 H = Mushroom-head cap