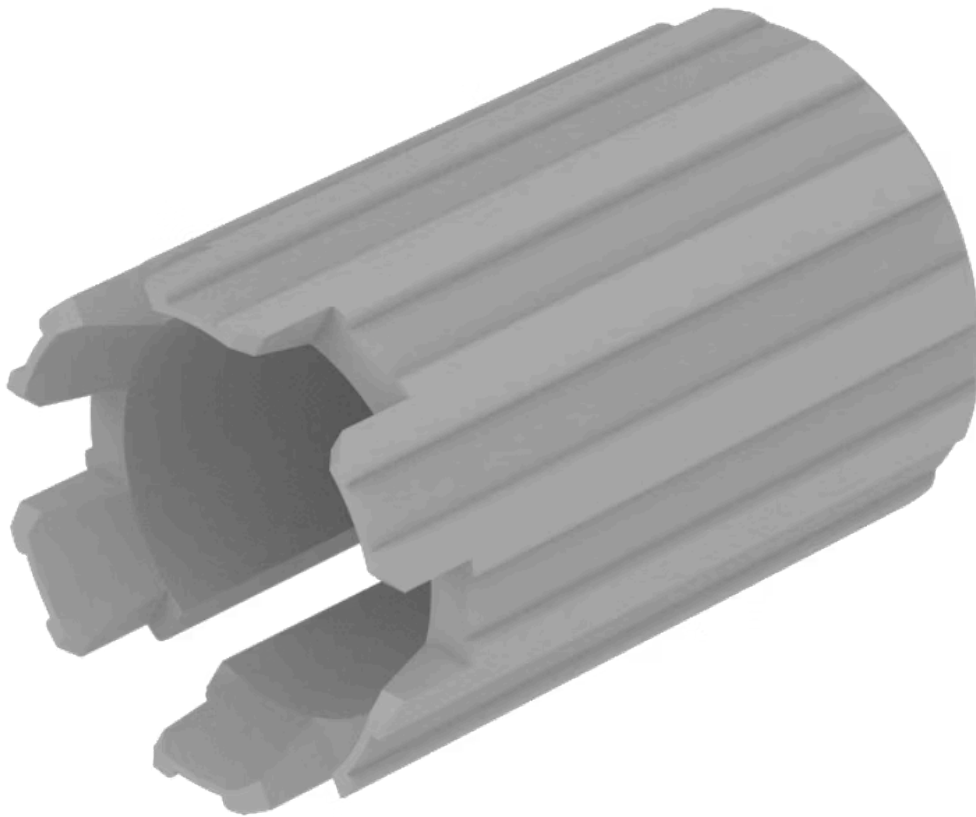


# Mounting tool

84-996

Distribution by  
Farnell



<https://farnell.eao.com/component/84-996/en/m...>

Your product:

---



## 84-996 Mounting tool

*Loading ...*

### **ELECTRICAL CHARACTERISTICS**

**Forward voltage:**

### **MECHANICAL CHARACTERISTICS**

**Weight:** 0.032 kg

### **OTHER**

**Short Description:** Mounting tool, Plastic

**Title Accessory:** Mounting tool

**Material:** Plastic

**Product attributes:** For tightening or loosening the fixing nut, for emergency-stop and stop-switch