

# Actuator

92-  
340.000

Distribution by  
Farnell



<https://farnell.eao.com/component/92-340.000/...>

Your product:

---



## 92-340.000 Actuator

*Loading ...*

### FRONT

<b>Front dimension:</b>	18,4 mm x 18,4 mm
<b>Front form:</b>	Square
<b>Front bezel colour:</b>	White
<b>Front bezel material:</b>	Plastic

### MOUNTING

<b>Design:</b>	PCB
<b>Mounting type:</b>	Panel mounting

### OPERATING-/INDICATION PART

<b>Lens illumination:</b>	Illuminated
---------------------------	-------------

### ELECTRICAL CHARACTERISTICS

<b>Switching voltage and switching current:</b>	Switching voltage	min. 50 m VAC/DC max. 42 VAC/DC
	Switching current	min. 10 $\mu$ A AC/DC max. 100 mA AC/DC
	Power rating	max. 2 W

<b>Switching rating:</b>	42 V
--------------------------	------

<b>Electrical lifetime:</b>	500 000 cycles of operation at 42VDC, 50mA, according to IEC 6512-5-9c
-----------------------------	--

<b>Electric strength:</b>	500 VAC, 50 Hz, 1 minute according to IEC 60512-5-9c
---------------------------	--

<b>Electrostatic discharge (ESD):</b>	15 kV
---------------------------------------	-------

### MECHANICAL CHARACTERISTICS

<b>Switching action:</b>	Momentary
<b>Switching system:</b>	Short-travel element
<b>Switching system:</b>	Short-travel switching system with 2 independent contact points Guarantees reliable switching even of very light loads. Fitted with 1 normally open contact.
<b>Mechanical lifetime:</b>	≥1 Mil. cycles of operation
<b>Operating force:</b>	2.7 N ±1 N switching element, 5 N lens
<b>Operating Travel:</b>	ca. 0.4 mm switching element
<b>Tightening torque:</b>	Fixing nut max. 0.5 Nm, Fixing screw mounting flange 0.4 Nm
<b>Weight:</b>	0.017 kg

### AMBIENT CONDITION

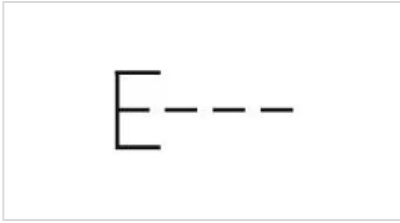
<b>IP front protection:</b>	IP67
<b>IP Protection:</b>	IP67 front side
<b>Operating temperature:</b>	- 25 °C ... + 70 °C
<b>Storage temperature:</b>	- 40 °C ... + 80 °C
<b>Shock resistance:</b>	Max. 500 m/s <sup>2</sup> , pulse width, 3-axis (sinusoidal EN IEC 60068-2-27)
<b>Vibration resistance:</b>	Max. 100 m / s <sup>2</sup> from 10 Hz ... 500 Hz, 10 cycles, 3-axis (sinusoidal EN IEC 60068-2-6)

### CERTIFICATE

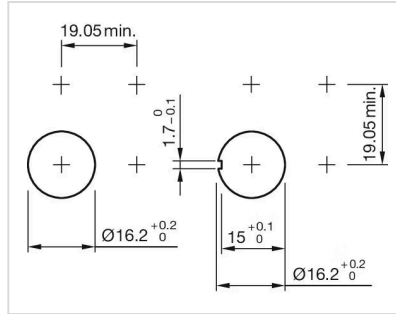
<b>Approbations:</b>	CQC
<b>Conformities:</b>	CE, UKCA, 2011 / 65 / EC (RoHS), 2014 / 35 / EU (LVD)
<b>REACH:</b>	REACH compliant
<b>RoHS:</b>	RoHS compliant

### OTHER

<b>Short Description:</b>	Actuator, 18,4 mm x 18,4 mm, Illuminated, Square, White, Plastic, Momentary, IP67
<b>Housing colour:</b>	White
<b>Housing material:</b>	Plastic
<b>Wiring diagrams:</b>	



**Mounting cut-outs:**



**Dimension drawings:**

