

Illuminated push button

K14-131.211021

Distribution by
Farnell



<https://farnell.eao.com/component/K14-131.211...>

Your product:



K14-131.211021 Illuminated push button

FRONT

Front dimension: Ø 35 mm

Front form: Round

MOUNTING

Mounting cut-out: Ø 30.5 mm

Mounting type: Panel mounting

OPERATING-/INDICATION PART

Lens colour: Yellow

Lens material: Plastic

Lens illumination: Illuminated

Lens shape: Raised

Lens optics: transparent

Illumination colour: Yellow

ELECTRICAL CHARACTERISTICS

Switching voltage and switching current:
250 VAC, 5 A (ohmic)
250 VAC, 3 A (Soldering terminal)
250 VAC, 2 A (inductive, $\cos(\phi) = 0.7$)
220 VDC, 0.1 A (inductive, L:R = 30 ms)
110 VDC, 0.2 A (inductive, L:R = 30 ms)
60 VDC, 0.7 A (inductive, L:R = 30 ms)
24 VDC, 2 A (inductive, L:R = 30 ms)

Contacts: 1 NC / 1 NO

Operating voltage: 24 V AC/DC

Operation current: 7/14 mA $\pm 15\%$

| | |
|--------------------------------------|--|
| Rated Operational Voltage Ue: | 250 VAC/DC according to EN IEC 61058-1 |
| Switching rating: | 250 V AC @ 3 A |
| Electrical lifetime: | 50 000 cycles of operation |
| Electric strength: | 3000 VAC, 50 Hz, 1 min. between all terminals and earth, according to EN/IEC 61058-1 |
| Protection class: | II |
| Standards: | According to EN/IEC 61058-1 |
| Thermal current Ith: | 3 A |

MECHANICAL CHARACTERISTICS

| | |
|-----------------------------|--|
| Terminal: | Plug-in terminal, 2.8 x 0.5 mm |
| Contact material: | Gold-plated silver |
| Switching action: | Momentary |
| Switching system: | Snap-action switching element |
| Switching system: | Self-cleaning, double-break snap action switching system (contact opening width 2 mm x 1.5 mm). |
| Mechanical lifetime: | 2 Mil. cycles of operation |
| Operating force: | 3 N ... 6 N |
| Operating Travel: | 3 mm |
| Tightening torque: | Fixing nut max. 0.25 Nm |
| Wire cross section: | Max. wire diameter 2 wires of 1 mm Max. wire cross-section of stranded cable 2 of 0.75 mm ² or 1 x 1.0 mm ² |
| Weight: | 0.031 kg |

AMBIENT CONDITION

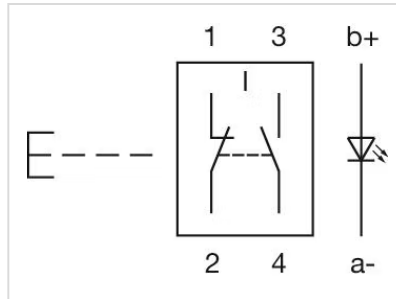
| | |
|-------------------------------|---|
| IP front protection: | IP67, according to DIN EN 60529 |
| Operating temperature: | - 25 °C ... + 55 °C, mounted as a block, make sure the heat can escape freely |
| Storage temperature: | - 40 °C ... + 85 °C |
| Shock resistance: | Max. 150 m / s ² , pulse width 11 ms, 3-axis, (semi-sinusoidal as per EN IEC 60068-2-27) |
| Vibration resistance: | Max. 100 m / s ² from 10 Hz ... 500 Hz, (sinusoidal EN IEC 60068-2-6) |
| Climate resistance: | Standard condition, as per DIN EN 60068-2-78 Standard cyclic, as per DIN IEC 60068-2-30 |

CERTIFICATE

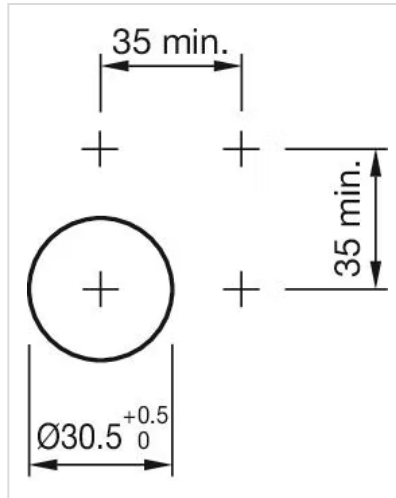
Approbations: CB (IEC 61058-1), CQC, CSA, DNV, EAC, ENEC (EN 61058-1), UL, VDE
Conformities: CE, UKCA, 2011 / 65 / EC (RoHS), 2014 / 35 / EU (LVD)
REACH: REACH compliant
RoHS: RoHS compliant

OTHER

Short Description: Illuminated push button, Momentary, 250 V AC @ 3 A, 24 V AC/DC, 1 NC / 1 NO, Plug-in terminal, 2.8 x 0.5 mm, Round, Yellow, Yellow
Housing colour: Black
Housing material: Plastic
Wiring diagrams:



Mounting cut-outs:



Dimension drawings:

